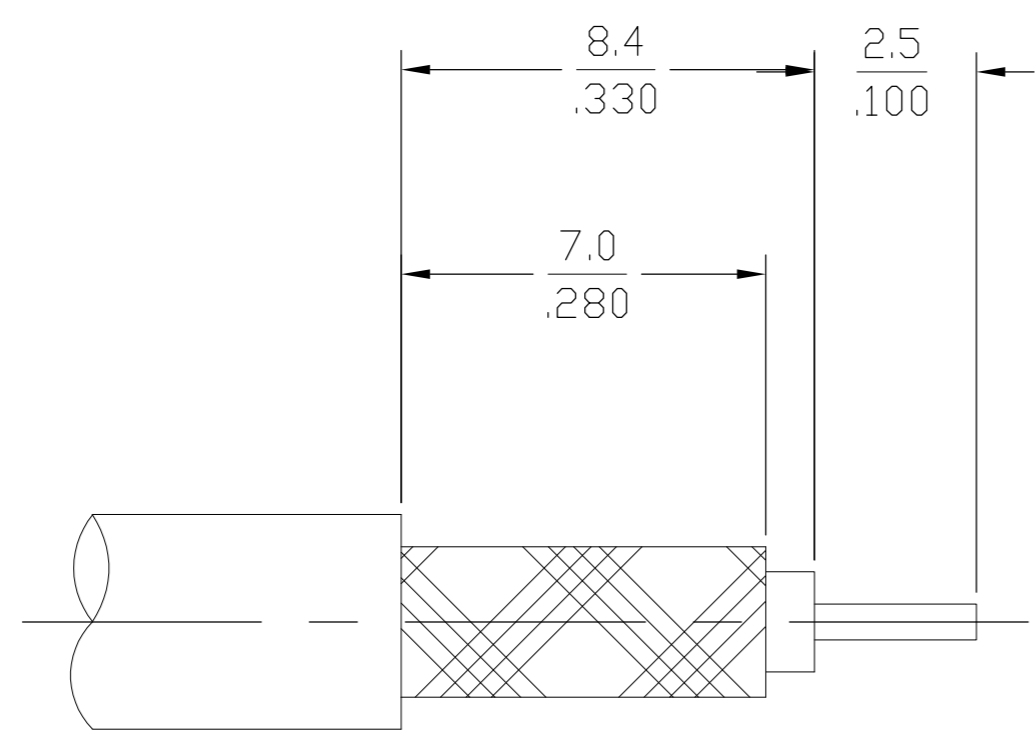
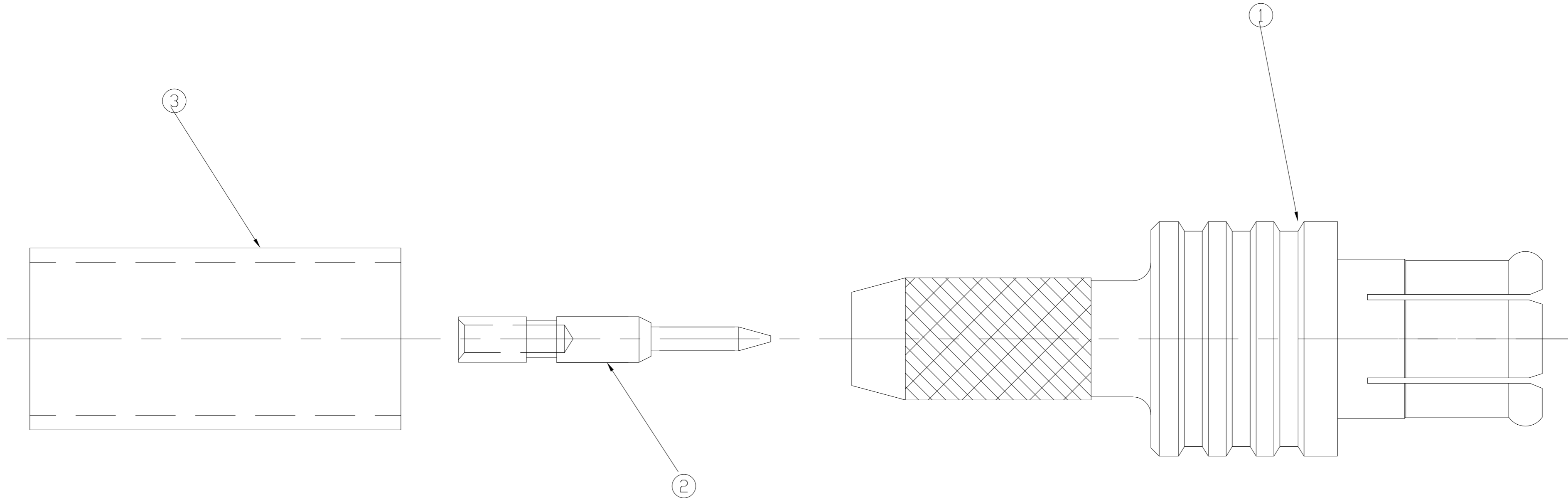


THIS DRAWING IS UNPUBLISHED. RELEASED FOR PUBLICATION
 © COPYRIGHT BY TYCO ELECTRONICS CORPORATION. ALL RIGHTS RESERVED.

LOC		DIST		REVISIONS			
HC	00	P	LTR	DESCRIPTION	DATE	DWN	APVD
		D		REV PER ECO 08-007172	26MAR2008	DW	JL



RECOMMENDED STRIP LENGTH

1. FOR USE WITH RG-178/U & RG-196/U CABLE.

RG178/U	3-413889-0	1408060-4	1408076-1	1060869-1
CABLE SIZE	FERRULE ③ QTY=1	CONTACT ② QTY=1	PLUG ASSEMBLY ① QTY=1	PART NUMBER

THIS DRAWING IS A CONTROLLED DOCUMENT.		DWN	21JUL00	Tyco Electronics Corporation Harrisburg, PA 17105-3608	
DIMENSIONS: INCHES		CHK	22JUL00	NAME	
TOLERANCES UNLESS OTHERWISE SPECIFIED:		APVD	22JUL00	PRODUCT SPEC	
0 PLC ± -	1 PLC ± -	APVD	22JUL00	APPLICATION SPEC	
2 PLC ± -	3 PLC ± 0.005	WEIGHT	408-10131	SIZE	A2
4 PLC ± -	ANGLES ± 1	FINISH	-	CAGE CODE	00779
MATERIAL	-	FINISH	-	DRAWING NO	C=1060869
CUSTOMER DRAWING		SCALE	15:1	SHEET	1 of 1

1060869